



*It's in the Bag!*

# BAGS & MORE

Shugon Collection • [www.shugon.com](http://www.shugon.com)

Shugon products are manufactured since 1986 to ISO9001 quality standard, using only the finest materials and accessories.



## ATLANTIC 2688 \* 616.38



Oversized durable kit bag • Reinforced and durable fabric with water-resistant surface • Large main compartment • Large internal zipped pocket • Front external zipped pocket • Transparent name pocket at one end • Reinforced webbed handles each end • Compression straps on both sides • Adjustable shoulder strap and reinforced webbed carrying handles • Suitable for screen printing / transfer printing or embroidery.

600Dx600D Polyester 78T with Water Resistant Coating

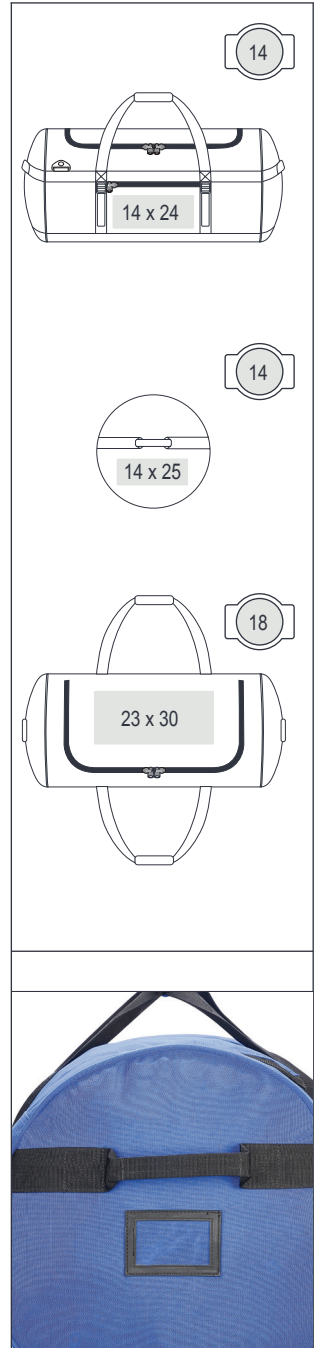
43 x 80 x 43 cm  
110 litres

22 x 60 x 40 cm  
10 pieces, 14 kg

■ 2688-21  
| Royal/Black



■ 2688-10  
| Black



- Material
- Product dimensions and capacity
- Carton dimensions, quantity and weight

9 x 18 Print area (cm) position and size

Embroidery hoop (cm)

